

1

2

3

4

5

6

RevNo	Revision note	Date	Signature	Checked
-------	---------------	------	-----------	---------

A

A

B

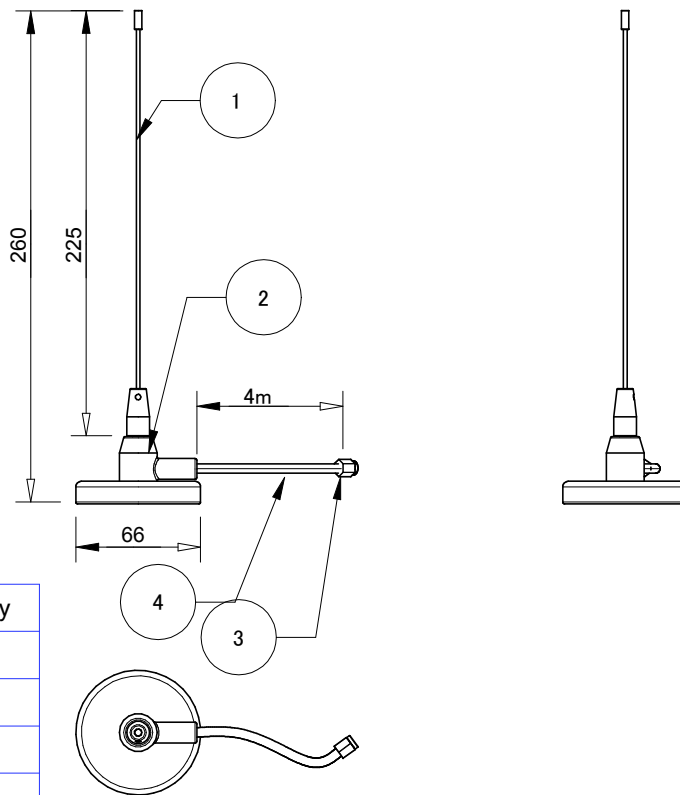
B

C

C

D

D



Item Number	Part Name	Quantity
1	エレメント	1
2	基台	1
3	SMA-P	
4	ケーブル(φ5mm)	

Itemref	Quantity	Title/Name, designation, material, dimension etc			Article No./Reference	
Drawn by T.HATA		Checked by	Approved by - date	File name	Date 100201	Scale
ANT-312MA				Adtex Inc.		
				Edition		Sheet

1

2

3

6