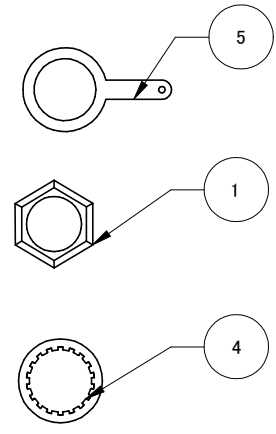
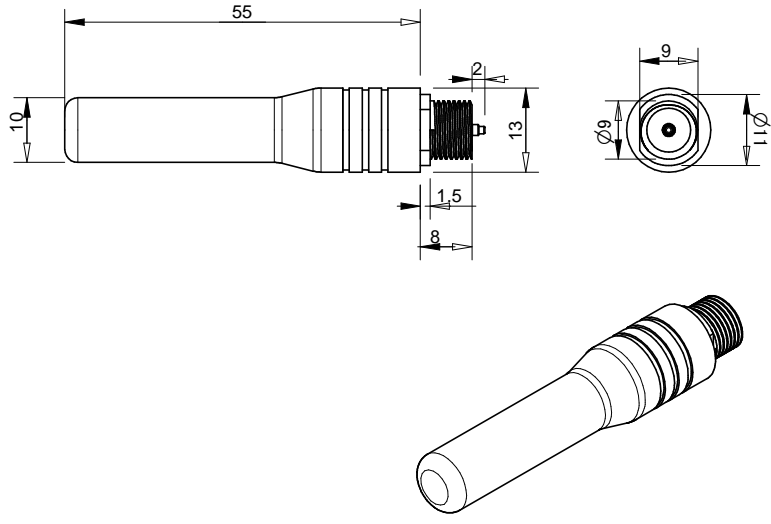


RevNo	Revision note	Date	Signature	Checked
-------	---------------	------	-----------	---------



Item Number	Quantity	Part Number	Part Name	Revision	Comment
1	1		ナット		
2	1		ANT-312H		
4	1		菊花ワッシャー		
5	1		アース金具		

Itemref	Quantity	Title/Name, designation, material, dimension etc	Article No./Reference
Drawn by HATA	Checked by YAMAZAKI	Approved by - date	File name
		Date 2008/12/11	Scale 1/1
ANT-312H外觀寸法図		Adtex Inc.	
		10010	Edition Sheet