

1

2

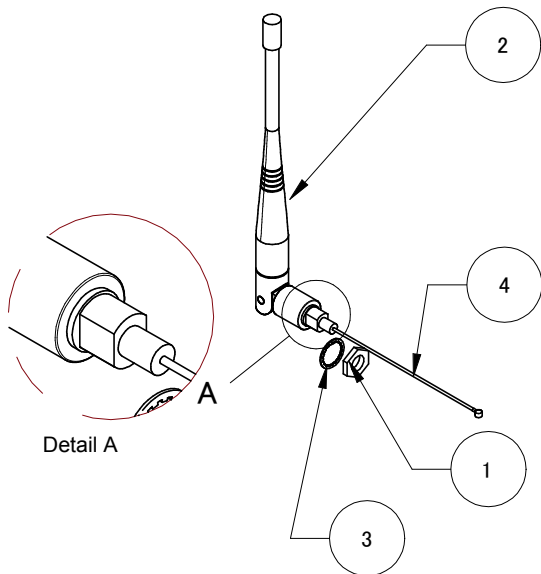
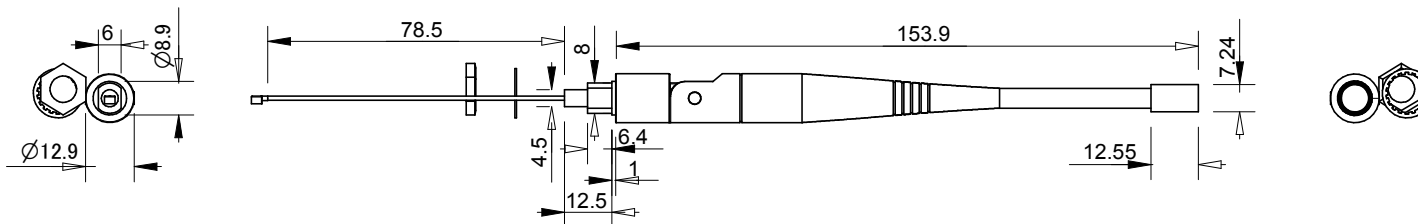
3

4

5

6

RevNo	Revision note	Date	Signature	Checked
-------	---------------	------	-----------	---------



Item No.	Part Name	Quantity
1	ナット	1
2	アンテナ本体	1
3	菊ワッシャー	1
4	U.FLケーブル&コネクタ	1

Itemref	Quantity	Title/Name, designation, material, dimension etc			Article No./Reference	
Drawn by HATA		Checked by	Approved by - date	File name	Date 2010/03/15	Scale

ANT-312HL-U.FL外觀寸法図				<b>Adtex Inc.</b>				Edition	Sheet

1

2

3

6