

1

2

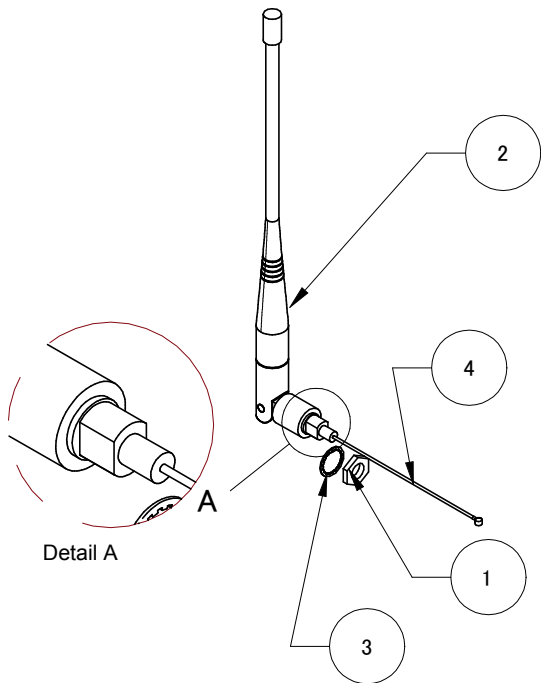
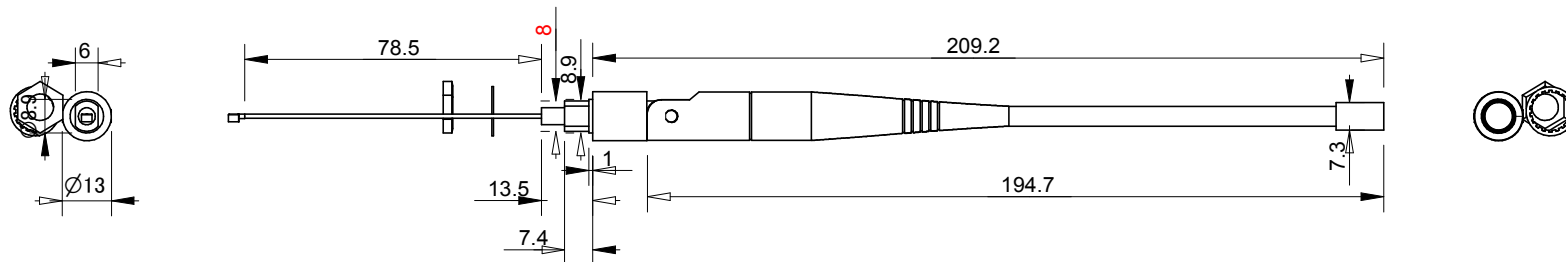
3

4

5

6

| | | | | |
|-------|---------------|------|-----------|---------|
| RevNo | Revision note | Date | Signature | Checked |
|-------|---------------|------|-----------|---------|



| Item No. | Part Name | Quantity |
|----------|---------------|----------|
| 1 | ナット | 1 |
| 2 | アンテナ本体 | 1 |
| 3 | 菊ワッシャー | 1 |
| 4 | U.FLケーブル&コネクタ | 1 |

| | | | | | | |
|----------------------|----------|--|--------------------|-------------------|-----------------------|---------|
| Itemref | Quantity | Title/Name, designation, material, dimension etc | | | Article No./Reference | |
| Drawn by HATA | | Checked by | Approved by - date | File name | Date 2010/03/15 | Scale |
| ANT-312HHL-U.FL外觀寸法図 | | | | Adtex Inc. | | |
| | | | | | | Edition |

1

2

3

6