

1

2

3

4

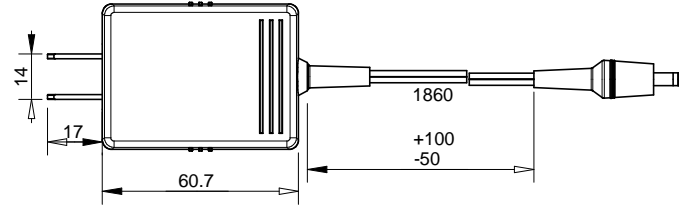
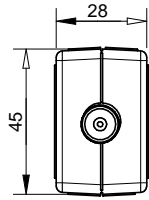
5

6

RevNo	Revision note	Date	Signature	Checked
-------	---------------	------	-----------	---------

A

A

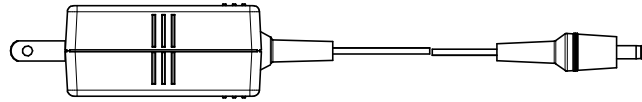
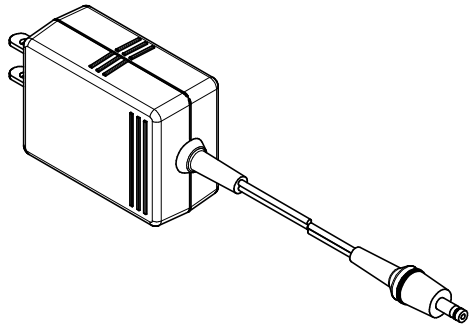


B

B

C

C



D

D

Itemref	Quantity	Title/Name, designation, material, dimension etc			Article No./Reference		
ADP-0501		ADP-0501					
Drawn by T.HATA		Checked by YAMAZAKI	Approved by - date	File name	Date 2008/12/17	Scale 1/2	
ADP-0501				<b>Adtex Inc.</b>		Edition	Sheet

1

2

3

6